



**Part no.: 429394**  
**BT-2HF-S**  
**Mounting bracket set**

Figure can vary

## Contents

- Technical data
- Dimensioned drawings



Part no.: 429394 – BT-2HF-S – Mounting bracket set

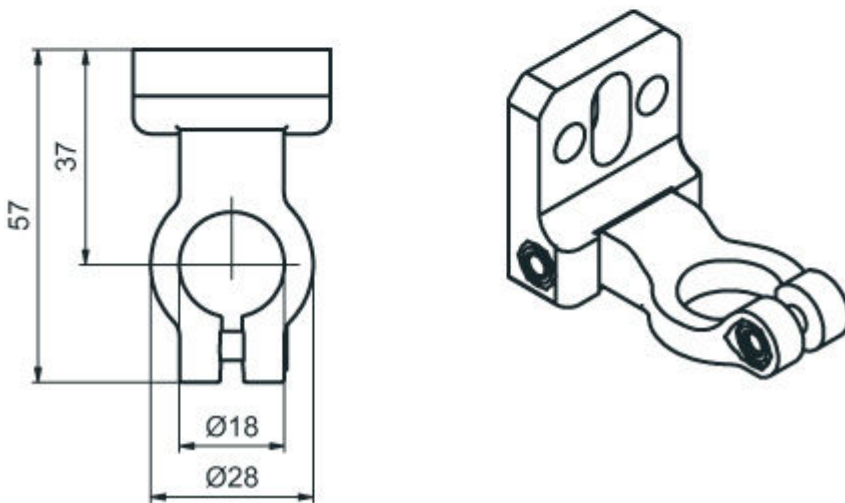
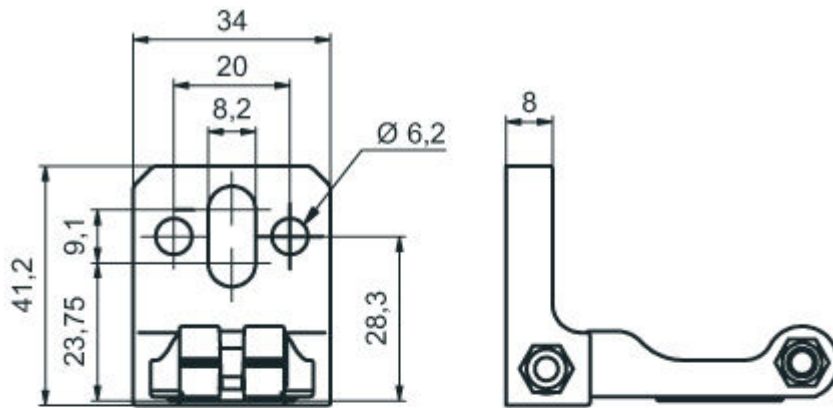
## Technical data

| <b>Basic data</b>            |   |
|------------------------------|---|
| Contains                     | 2x BT-HF swivel mount<br>1 cylinder for mounting on the light curtain |
| Suitable for                 | MLC 500, MLC 300 safety light curtains                                |
| <b>Mechanical data</b>       |   |
| Type of fastening, at system | Through-hole mounting   |
| Type of fastening, at device | Clampable   |
| Type of mounting device      | Turning, 360°   |
| Mounting device material     | Metal<br>Plastic  |
| <b>Classification</b>        |   |
| eCl@ss 8.0                   | 27279202  |
| eCl@ss 9.0                   | 27273701  |

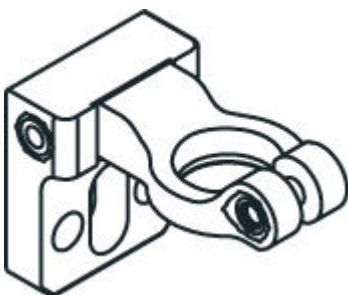
## Dimensioned drawings

All dimensions in millimeters

BT-HF swivel mount



Mounting variant



Part no.: 429394 – BT-2HF-S – Mounting bracket set

BT-HF swivel mount with vibration damper

